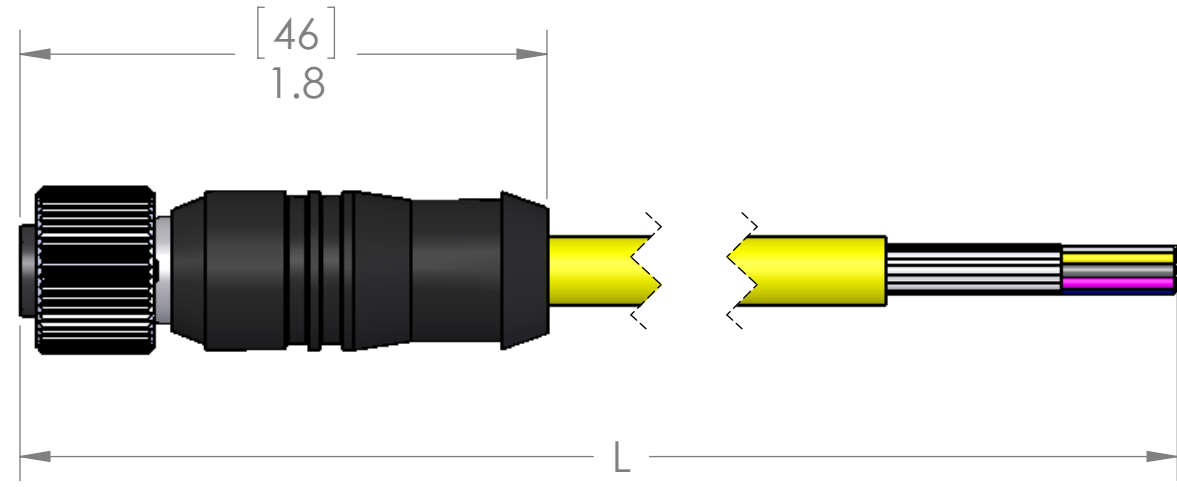
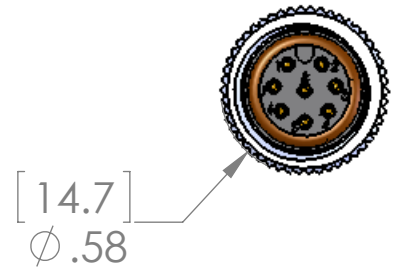


PIN #	COLOR
1	WHITE
2	BROWN
3	GREEN
4	YELLOW
5	GRAY
6	PINK
7	BLUE
8	RED
CPLG	SHIELD

DATE
12/4/2014



MATERIALS	
BODY:	BLACK PUR
CONTACTS:	GOLD PLATED COPPER ALLOY
CABLE:	24/8 YELLOW PUR JACKET w/FOIL SHIELD
COUPLING:	NICKEL PLATED BRASS
INSERT:	POLYAMIDE
O-RING:	FPM

PROPRIETARY AND CONFIDENTIAL
THE INFORMATION CONTAINED IN THIS DRAWING IS THE SOLE PROPERTY OF TR ELECTRONIC. ANY REPRODUCTION IN PART OR AS A WHOLE WITHOUT THE WRITTEN PERMISSION OF TR ELECTRONIC IS PROHIBITED.

VOLTS	60V
AMPS	2A
TEMP	80°C
SPECIFICATIONS	

UNLESS OTHERWISE SPECIFIED:	
DIMENSIONS ARE IN INCHES	DO NOT SCALE DRAWING
MATERIAL	
FINISH	

PART SHOWN AS NOT BEING STANDARD
MAY REQUIRE MINIMUM ORDERS

NAME		TITLE:	
DRAWN	BEM	TR Electronic	
CHECKED		M128FAAS-X	
ENG APPR.		SIZE	DWG. NO.
MFG APPR.		B	M128FAAS-X
Q.A.		SCALE: 3:2	WEIGHT:
COMMENTS:		SHEET 1 OF 1	
		REV	A