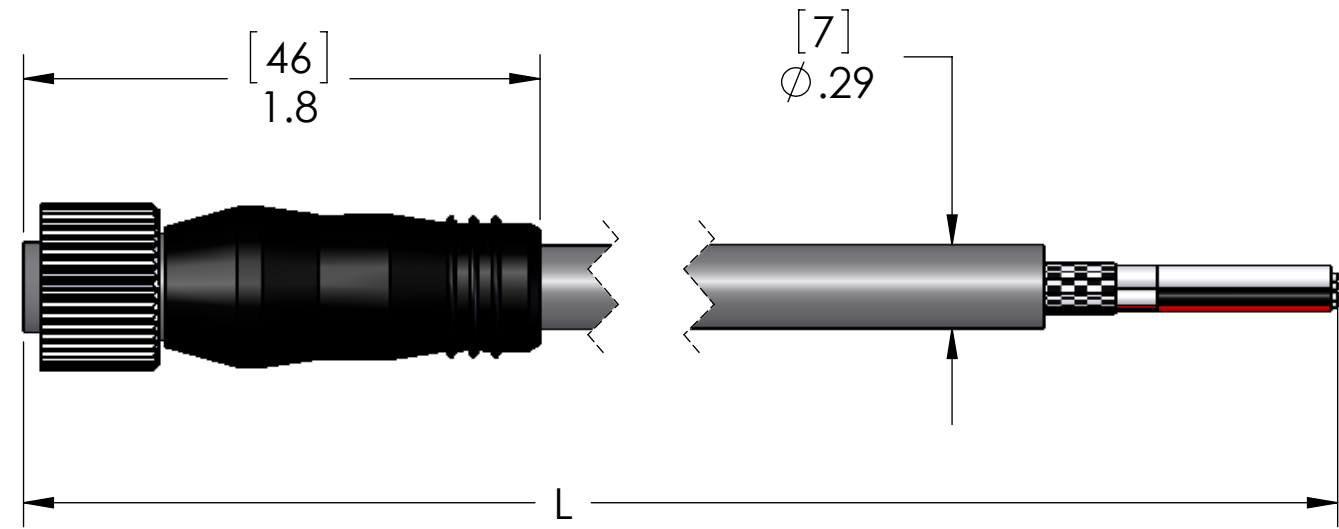
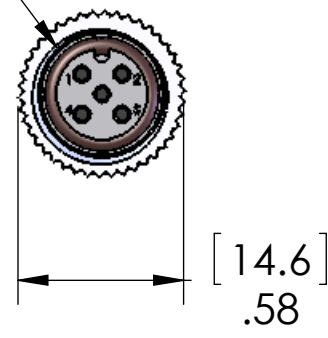


PIN #	COLOR
1	BARE (DRAIN)
2	RED
3	BLACK
4	WHITE
5	BLUE

REVISIONS			
REV.	DESCRIPTION	DATE	APPROVED
A	REDRAWN IN SW	4/23/2004	

M12x1 FEMALE



MATERIALS:	
BODY:	BLACK OIL RESISTANT PVC
INSERTS:	POLYAMIDE
CONTACTS:	GOLD PLATED COPPER ALLOY
O-RING:	FPM
COUPLINGS:	NICKEL PLATED BRASS
CABLE:	GRAY DEVICENET DROP CABLE

APPROVALS:	
US	UL RECOGNIZED
CANADA	C-UL RECOGNIZED

VOLTS	300V
AMPS	4A
TEMP	80°C

UNLESS OTHERWISE SPECIFIED:
 DIMENSIONS ARE IN INCHES & [MM]
 MATERIAL
 FINISH
 DO NOT SCALE DRAWING

NAME	BEM
DRAWN	
CHECKED	
ENG APPR.	
MFG APPR.	
Q.A.	
COMMENTS:	

TR Electronic		
TITLE:		
SIZE	DWG. NO.	REV
B	M125FAES-X	A
SCALE: 3:2	WEIGHT:	SHEET 1 OF 1