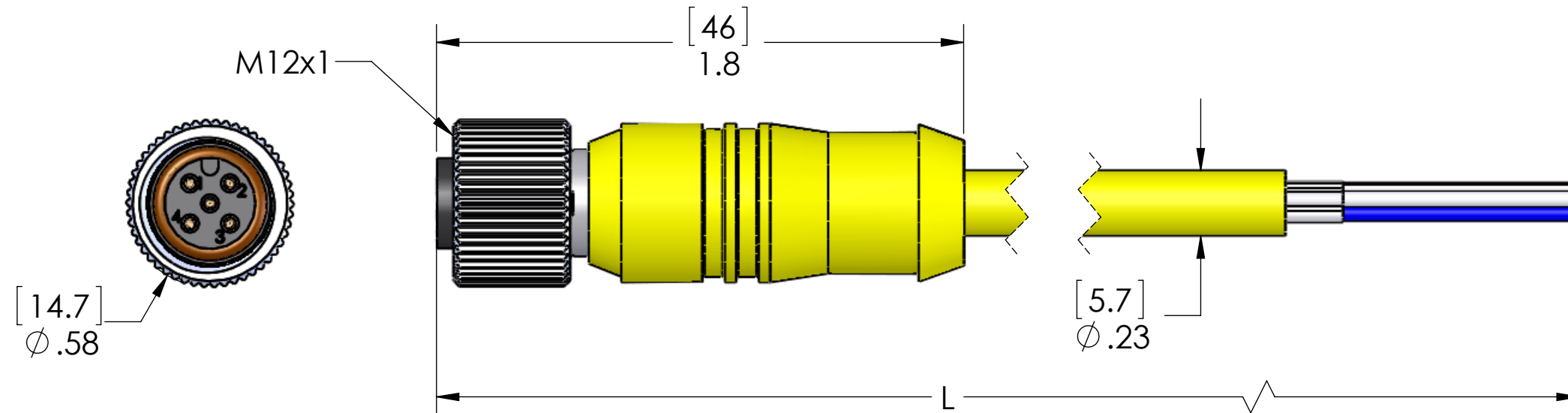


PIN #	COLOR
1	BROWN
2	WHITE
3	BLUE
4	BLACK
5	GRAY
SHIELD	COUPLING

REVISIONS			
REV.	DESCRIPTION	DATE	
A	Drawn in SW	3/21/2013	



MATERIALS	
BODY:	YELLOW PVC
CONTACTS:	GOLD PLATED COPPER ALLOY
CABLE:	22/5 AWM YELLOW PVC JACKET FOIL MYLAR SHIELD w/24 AWG DRAIN
COUPLING:	NICKEL PLATED BRASS
INSERT:	POLYAMIDE
O-RING:	FPM

PROPRIETARY AND CONFIDENTIAL
 THE INFORMATION CONTAINED IN THIS DRAWING IS THE SOLE PROPERTY OF TR ELECTRONIC. ANY REPRODUCTION IN PART OR AS A WHOLE WITHOUT THE WRITTEN PERMISSION OF TR ELECTRONIC IS PROHIBITED.

UNLESS OTHERWISE SPECIFIED:		NAME		TR ELECTRONIC		
DIMENSIONS ARE IN INCHES AND [MM]		DRAWN	JJH			
		CHECKED		TITLE:		
		ENG APPR.				
		MFG APPR.				
		Q.A.				
MATERIAL		COMMENTS:		SIZE	DWG. NO.	REV
FINISH				B	M125FAAS-X	A
DO NOT SCALE DRAWING				SCALE: 1:1	WEIGHT:	SHEET 1 OF 1