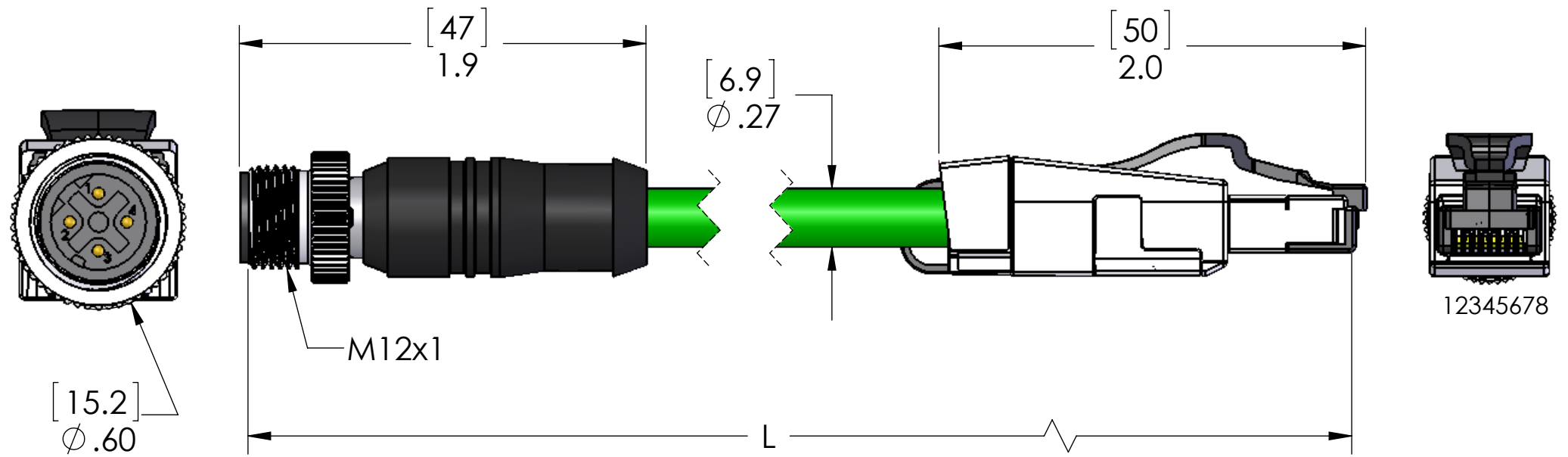


DATE
9/15/2014

MALE PIN #	WIRE COLOR	RJ45 PIN #
1	YELLOW (+TD)	1
2	WHITE (-TD)	3
3	ORANGE (+RD)	2
4	BLUE (-RD)	6
CPLG	SHIELD	CPLG



MATERIALS	
BODY:	BLACK PVC
CONTACTS:	GOLD PLATED COPPER ALLOY
CABLE:	22/4 PLTC PROFINET CBL, GREEN PVC JACKET
COUPLING:	NICKEL PLATED BRASS
INSERT:	POLYAMIDE

PROPRIETARY AND CONFIDENTIAL
THE INFORMATION CONTAINED IN THIS DRAWING IS THE SOLE PROPERTY OF TR ELECTRONIC. ANY REPRODUCTION IN PART OR AS A WHOLE WITHOUT THE WRITTEN PERMISSION OF TR ELECTRONIC IS PROHIBITED.

VOLTS	30V
AMPS	1.5A
TEMP	75°C
SPECIFICATIONS	

UNLESS OTHERWISE SPECIFIED:
DIMENSIONS ARE IN INCHES
TOLERANCES:
FRACTIONAL $\pm 1/64$
ANGULAR: MACH $\pm 5^\circ$ BEND $\pm 5^\circ$
ZERO PLACE DECIMAL $\pm .5$
ONE PLACE DECIMAL $\pm .1$
TWO PLACE DECIMAL $\pm .01$
THREE PLACE DECIMAL $\pm .004$

MATERIAL
FINISH
DO NOT SCALE DRAWING

NAME	
DRAWN	BEM
CHECKED	
ENG APPR.	
MFG APPR.	
Q.A.	
COMMENTS:	

TR ELECTRONIC		
TITLE:		
M124MADS-X-RJ45-PN		
SIZE	DWG. NO.	REV
B	M124MADS-X-RJ45-PN	A
SCALE: 3:2	WEIGHT:	SHEET 1 OF 1