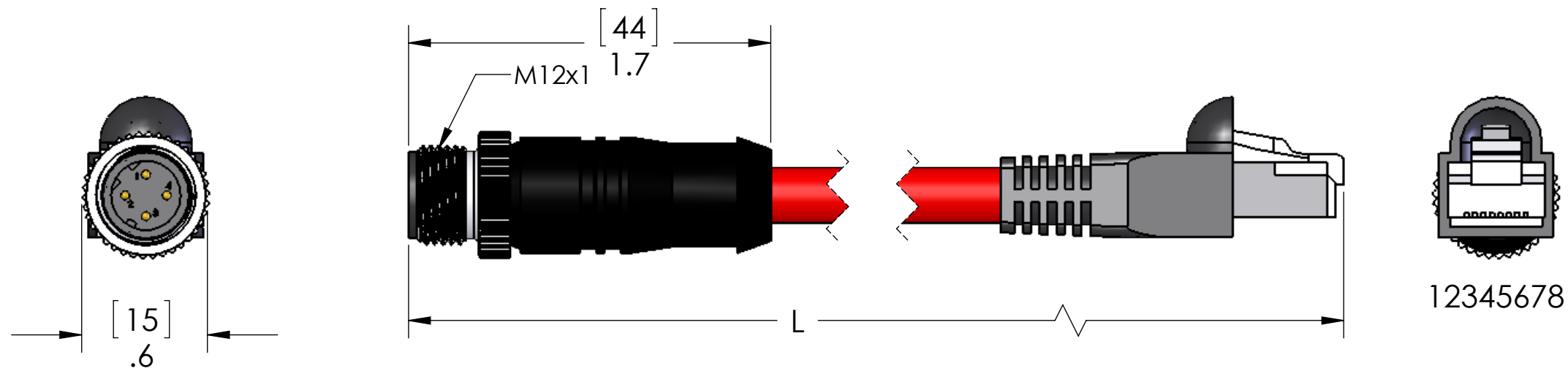


MDC		RJ45
PIN#	COLOR	PIN#
1	WHITE w/ORANGE	1
2	WHITE w/GREEN	3
3	ORANGE	2
4	GREEN	6
NC	SHIELD	SHIELD

REVISIONS			
REV.	DESCRIPTION	DATE	APPROVED
A	DRAWN IN SW	10/28/2014	BEM



MATERIALS:	
BODY:	BLACK PVC
COUPLING:	NICKEL PLATED BRASS
INSERT:	POLYAMIDE
CONTACTS:	GOLD PLATED COPPER ALLOY
CABLE:	26/4 CAT 5 TPE JACKET w/BRAIDED SHIELD
RJ45:	CLEAR PC WITH SHIELD & GOLD PLATED CONTACTS

PROPRIETARY AND CONFIDENTIAL

VOLTS	N/A
AMPS	N/A
TEMP	80C
APPLICATION	

UNLESS OTHERWISE SPECIFIED: DIMENSIONS ARE IN INCHES AND [MM]	NAME DRAWN CHECKED ENG APPR. MFG APPR. Q.A. COMMENTS:	TR Electronic TITLE: M124MADS-X-RJ45-EIP SIZE DWG. NO. <b>B</b> M124MADS-X-RJ45-EIP SCALE: 3:2 WEIGHT: SHEET 1 OF 1
INTERPRET GEOMETRIC TOLERANCING PER:		REV <b>A</b>
MATERIAL		
FINISH		
DO NOT SCALE DRAWING		