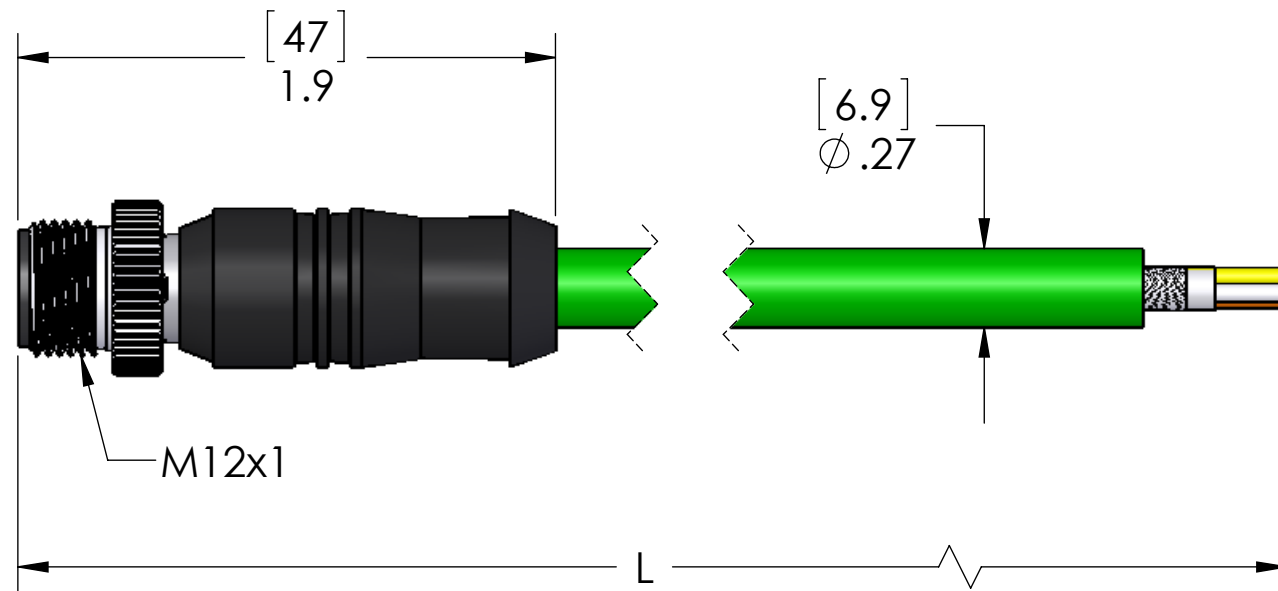
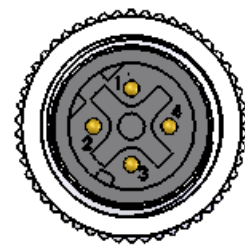


MALE PIN #	WIRE COLOR	MALE PIN #
1	YELLOW	1
2	WHITE	2
3	ORANGE	3
4	BLUE	4
CPLG	SHIELD	CPLG

REVISIONS			
REV.	DESCRIPTION	DATE	
A	REDRAWN IN SW	9/15/2014	



MATERIALS	
<b>BODY:</b>	<b>BLACK PVC</b>
<b>CONTACTS:</b>	<b>GOLD PLATED COPPER ALLOY</b>
<b>CABLE:</b>	<b>22/4 PLTC PROFINET CBL, GREEN PVC JACKET</b>
<b>COUPLING:</b>	<b>NICKEL PLATED BRASS</b>
<b>INSERT:</b>	<b>POLYAMIDE</b>

UNLESS OTHERWISE SPECIFIED:	
DIMENSIONS ARE IN INCHES	
TOLERANCES:	
FRACTIONAL ± 1/64	
ANGULAR: MACH ± 5° BEND ± 5°	
ZERO PLACE DECIMAL ± .5	
ONE PLACE DECIMAL ± .1	
TWO PLACE DECIMAL ± .01	
THREE PLACE DECIMAL ± .004	
MATERIAL	
FINISH	
DO NOT SCALE DRAWING	

VOLTS	30V
AMPS	4A
TEMP	75°C

SPECIFICATIONS

NAME	
DRAWN	BEM
CHECKED	
ENG APPR.	
MFG APPR.	
Q.A.	
COMMENTS:	

TR Electronic	
TITLE: M124MADS-X-PN	
SIZE	DWG. NO.
<b>B</b>	
REV	
<b>A</b>	
SCALE: 3:2	WEIGHT:
	SHEET 1 OF 1