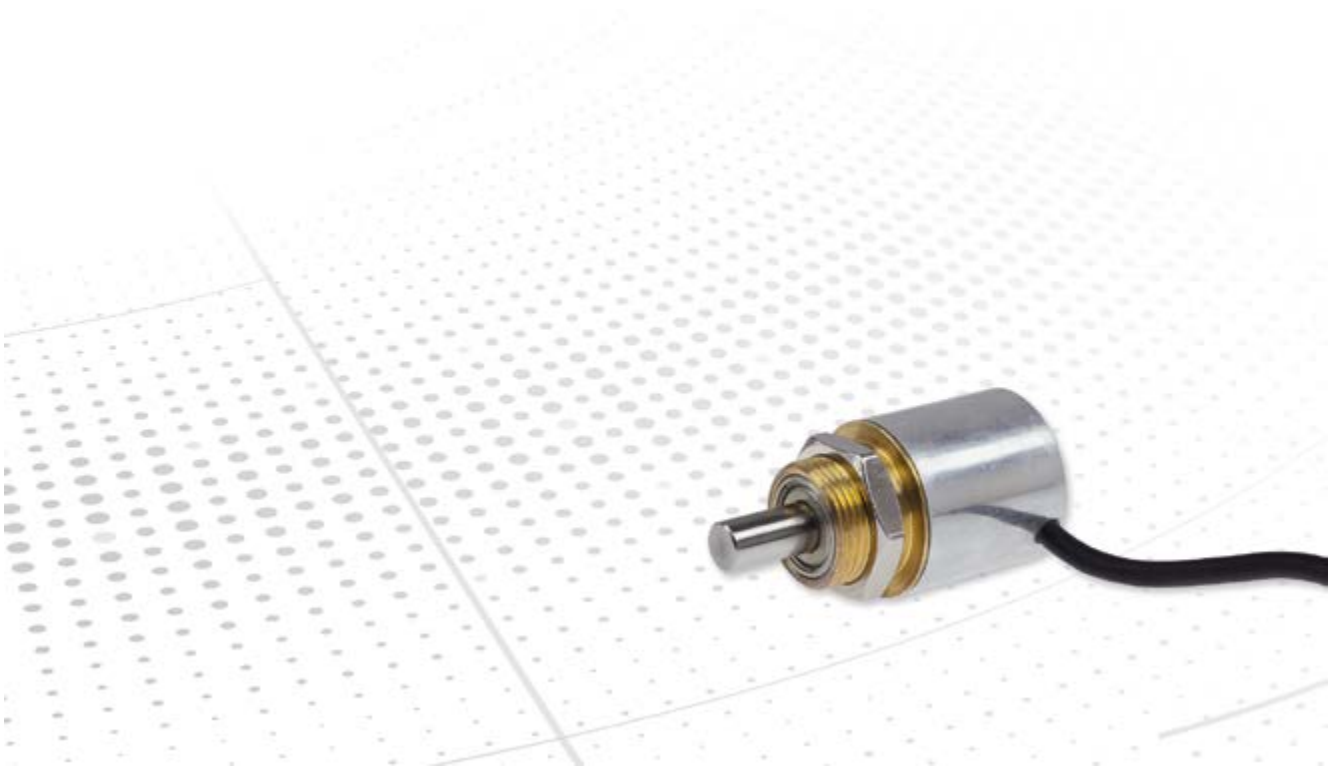


# Absolute Rotary Encoders

## Family C\_\_22



## Encoder - Family C\_\_22 - Housing 22 mm



### Tiny but an absolutely real encoder!

Within the CMV 22 M we have combined our innovative ideas of rotary encoder technology and the experience gained over the years and placed it into a miniature rotary encoder. With a 22 mm diameter, it is the smallest absolute multi-turn rotary encoder of its kind. Amazingly compact, it can be easily mounted in the most confined machine spaces. The contact-free detection guarantees shock and vibration resistance which combined with its low mass make it perfect for use in demanding environments.

#### **Application**





Direct installation into servo drives for wear-free, absolute position detection over several revolutions. The small size of 22 mm enables real multi-turn position measuring without battery back-up in fields such as apparatus construction and medical engineering, where up till now only incremental rotary encoders or multiple-ganged potentiometers were used.

---

### Contents

Products.....	3
Suggested Products.....	4
Dimensional Drawings.....	5
Shaft Types.....	6

## Magnet detection (M)

Products	CMV22M	CMV22M
		
Detection	Magnet detection (M)	Magnet detection (M)
Single / multi	(M) Multi	(M) Multi
Supply	7...26 VDC	14...30 VDC
Steps per turn	4096	4096
Number of turns	265	4096
Precision	$\pm 1,0^\circ$	$\pm 1,0^\circ$
Shaft diameters available	3mm, 6mm, 1/4"	3mm, 6mm, 1/4"
Connectors	Cable outlet radial	Cable outlet radial
Ambient temperature	0...+60 °C	0...+60 °C
Protection class	IP64	IP64
Interface	<b>SSI</b> <b>ASI</b>	<b>Analog</b>
Weblink	<a href="http://www.tr-electronic.com/s/S007235">www.tr-electronic.com/s/S007235</a>	<a href="http://www.tr-electronic.com/s/S007234">www.tr-electronic.com/s/S007234</a>
QR-Code		

Can't find the right variant? Please contact us ([info@tr-electronic.de](mailto:info@tr-electronic.de))

## Suggested Products

Order code	Steps per turn	Turns	Shaft / Flange	Connector position	Cable length	Remark
------------	----------------	-------	----------------	--------------------	--------------	--------

CMV22 - Analogue						
CMV22M-00008	4096	256	1/4"X12 M16X1	Open end	0,500 m	Analogue voltage
CMV22M-00013	4096	10	6,35GL/12 with groove M16X1	1X8P.M12-connector	0,360 m	Analogue voltage
CMV22M-00025	4096	256	1/4"X12 M16X1	Open end	0,500 m	Analogue current
CMV22M-00039	4096	4096	6GL/12,7 M16X1	Open end	1,000 m	Analogue voltage
CMV22S-00001	4096	1	1/4"X12 M16X1	Open end	0,500 m	Analogue voltage
CMV22S-00004	4096	1	1/4"X12 M16X1	Open end	0,500 m	Analogue current

CMV22 - SSI						
CMV22M-00005	4096	256	1/4"X12 M16X1	Open end	0,500 m	
CMV22M-00010	4096	256	1/4"X12 M16X1	Open end	0,500 m	
CMV22M-00037	4096	256	6GL/12,7 M16X1	Open end	10,000 m	
CMV22S-00003	4096	1	1/4"X12 M16X1	Open end	0,300 m	

For further product information simply enter the order number in the search field at [www.tr-electronic.com](http://www.tr-electronic.com).

### Further product information

1. Enter order code into ...



2. Searchfield (top right) on [www.tr-electronic.com](http://www.tr-electronic.com)



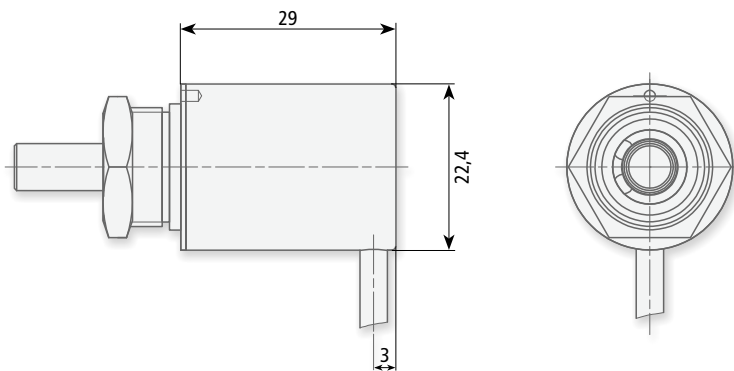
3. Choose desired information



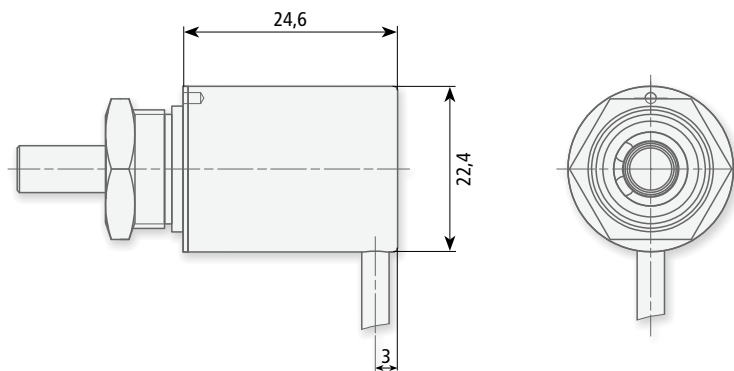
We will help you to select the most suitable products from the complete TR range. Please contact us ([info@tr-electronic.de](mailto:info@tr-electronic.de)).

# Dimensional Drawings

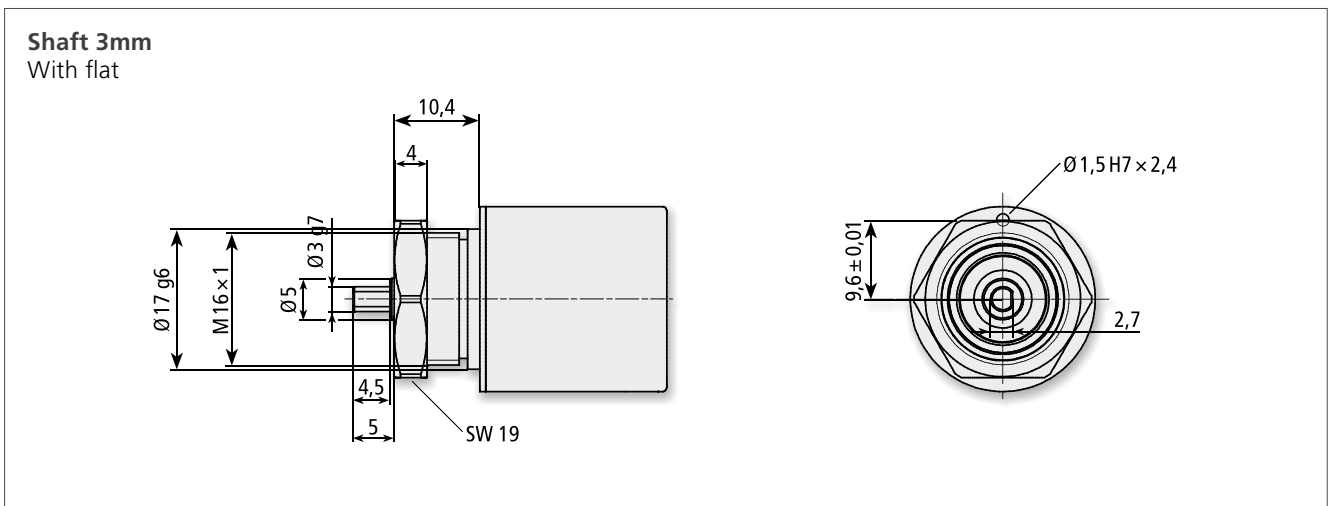
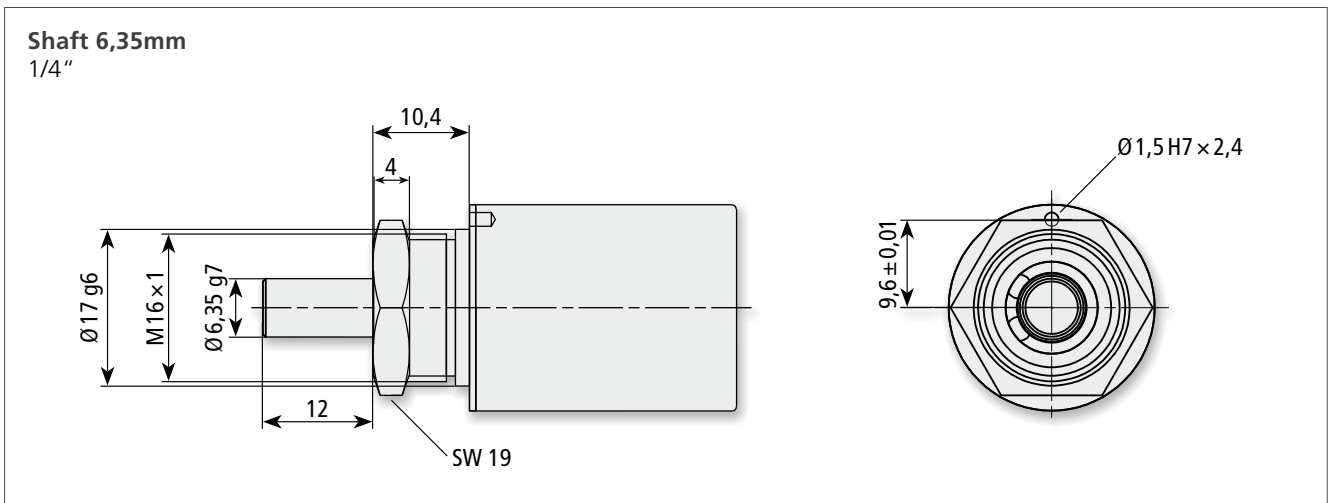
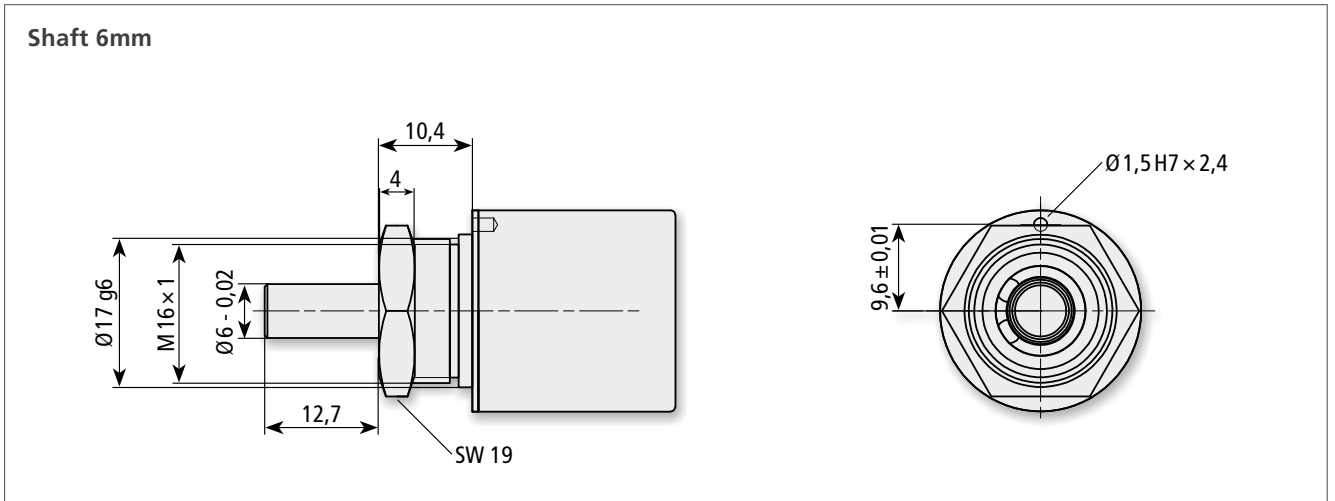
CMV22 Analogue



CMV22 SSI, ASI



# Shaft Types



Illustrations are schematic diagrams. Binding dimension drawings and CAD data for specific order numbers at [www.tr-electronic.com](http://www.tr-electronic.com) or on request.

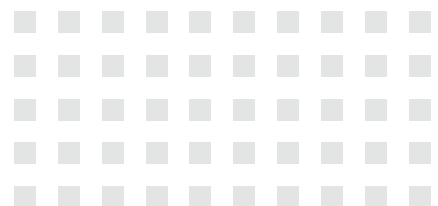


**TR-Electronic GmbH**

Eglishalde 6  
D - 78647 Trossingen

Tel. +49 7425 228-0  
Fax +49 7425 228-33

info@tr-electronic.de  
[www.tr-electronic.de](http://www.tr-electronic.de)



Last update: 05/2017

68-105-097 · TR-V-PR-GB-0007-2

Subject to technology and design modifications.

Cover photo background: ©kras99-fotolia.com