

## Draw-Wire SL00, 5.0 m, 130 mm



Ref.: K-SL00-05000-130-1

07.05.2021

010104005001029999

### Advantages

- Bearing via encoder shaft
- Flat design
- Light-weight design
- Low demand applications
- Low-cost version

### General Data

Order number(s)	40-723-003
Housing design	□ 130 mm
Housing material	Plastic, Noryl
Measuring length	5.00 m
Gear ratio	385 mm/rev.
	Note: Observe name plate!
Accuracy, gear ratio	± 0.10 %
Diameter, measuring wire	0.55 mm
Material, measuring wire	Stainless steel, 1.4401
Wire outlet angle	<= ±3 °
Linearity	± 0.01 %
	related to the measuring value
Reproducibility	0.005 %
	related to the measuring value
Adjusting speed	<= 3 m/s
Spring retraction force	4.5...7 N
Load cycles, typically	<= 1 000 000
Mass, typically	0.08 kg

Subject to change.

TR-Electronic GmbH  
 Eglisshalde 6  
 78647 Trossingen  
 Tel. +49 (0) 7425 228-0  
 info@tr-electronic.de  
[www.tr-electronic.de](http://www.tr-electronic.de)

---

## Draw-Wire SL00, 5.0 m, 130 mm

**Ref.: K-SL00-05000-130-1**

07.05.2021

010104005001029999

### Environmental conditions

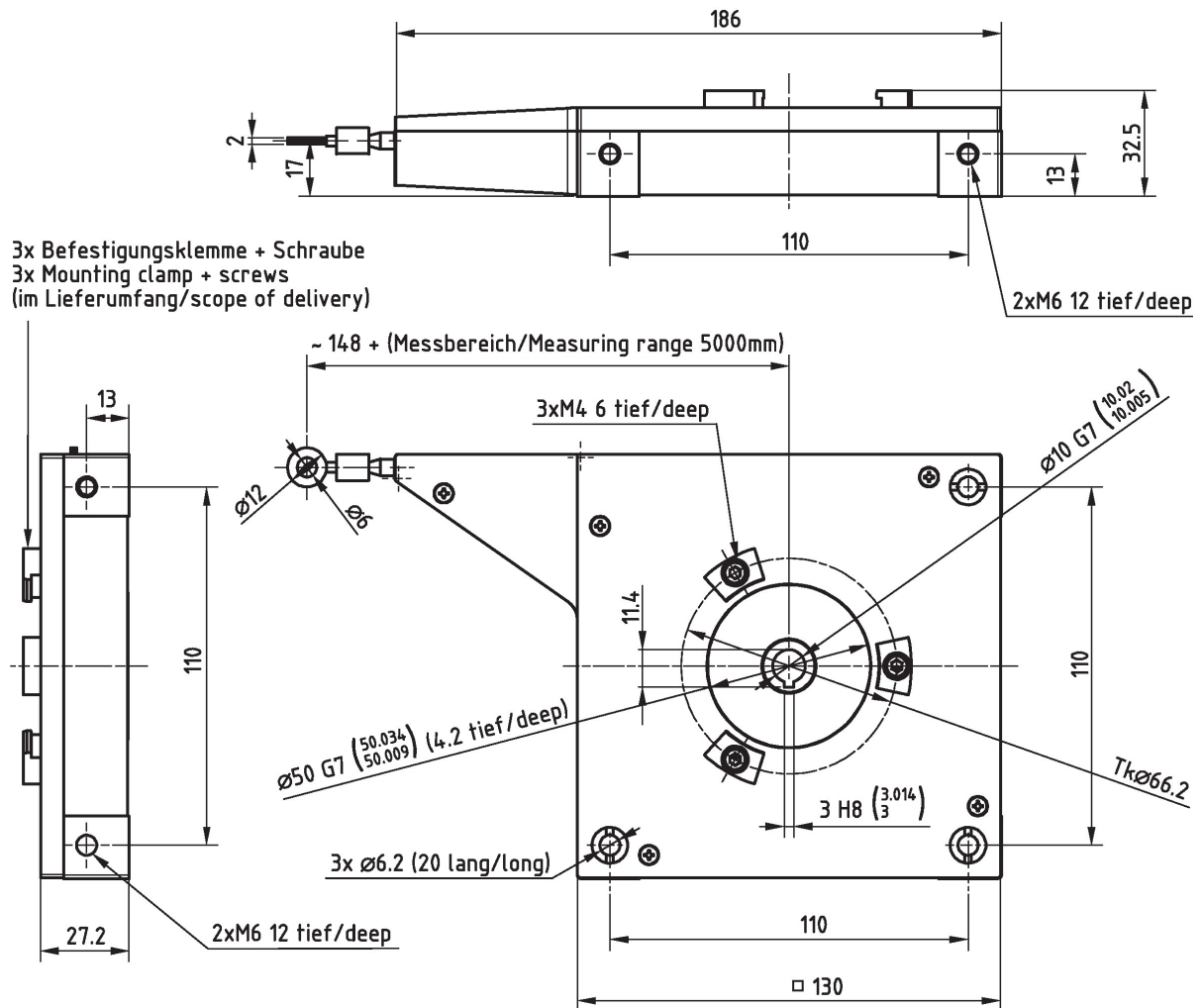
Working temperature	
- Standard	-30...+70 °C
Protection class	
- Standard	IP50
- Note	according mounting instruction

**Subject to change.**

# Draw-Wire SL00, 5.0 m, 130 mm

Ref.: K-SL00-05000-130-1  
 07.05.2021  
 010104005001029999

## Dimensional drawing



Subject to change.

TR-Electronic GmbH  
 Eglshalde 6  
 78647 Trossingen  
 Tel. +49 (0) 7425 228-0  
 info@tr-electronic.de  
[www.tr-electronic.de](http://www.tr-electronic.de)

---

## Draw-Wire SL00, 5.0 m, 130 mm

Ref.: K-SL00-05000-130-1

07.05.2021

010104005001029999

### Suggested products

CMW582M*8192/4096 EPN SL00_GS130	CMW582M-00003
CMW58M*4096/4096 SSI SL00 GS130 5M	CMW58M-00056

Subject to change.