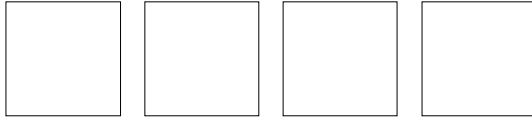


Incremental-Encoder IH-58



- **Hollow Shaft Encoder for Direct Coupling to any Drive Shaft (I.D. = 4 ... 12 mm)**
- **Number of Pulses per Revolution Up To 10 000**

6

Electrical Data

Supply Voltage.....	11-27 V DC
5 V DC	Upon request
Output (11-27 V).....	Push-Pull
Maximum Current.....	max. 20 mA
Incremental Signal.....	A, A neg., B, B neg.
Marker Pulse	Z, Z neg., 1 pulse per revolution
Maximum Output Frequency	160 kHz
Output (5 V).....	Line Driver
Maximum Current.....	max. 20 mA
Incremental Signal.....	A, A neg., B; B neg.
Marker Pulse	Z, Z neg., 1 pulse per revolution
Maximum Output Frequency	300 kHz
Tolerance (at 20 kHz)	
Phase Shift.....	±10°
Pulse Width.....	±10°
Tolerance (at 100 kHz)	
Phase Shift.....	±30°
Pulse Width.....	±30°
Pulses per Revolution	1 to 10 000
Option	Sinusoidal Signal, 160 kHz (-3dB), voltage or current source 5 or 10 times the base PPR is possible. (i.e. 50000 or 100000 PPR)

Environmental Data

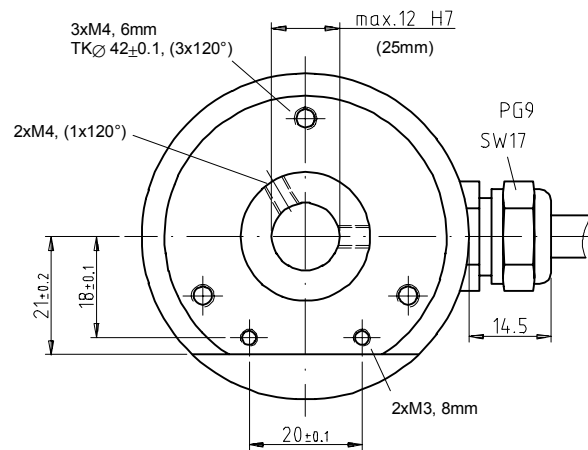
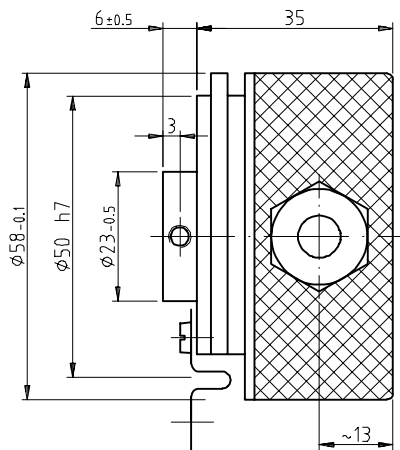
Electromagnetic compatibility (EMC)	EN 61000-4-2 (IEC-801-2) / EN 61000-4-4 (IEC-801-4)
Operating Temperature.....	0° to 80°C (32° F to 176° F)
Extended Temperature (Optional).....	-30° to +80°C (-22° to 176°F)
Relative Humidity	98 % (non condensing)

Mechanical Data

Maximum Rotational Speed.....	10000 RPM
Weight.....	0.3 kg (.7 lb.)
Maximum Angular Acceleration.....	$\geq 10^5 \text{ rad/s}^2$
Momentum of Inertia.....	$1.5 \times 10^{-6} \text{ kg m}^2$
Startup Momentum 20°C (68° F).....	0.02 Ncm
Vibration (50-2000 Hz Sinusoidal)	
DIN IEC 68-2-6.....	$\geq 100 \text{ m/s}^2$ (10g)
Shock (11ms) DIN IEC 68-2-27.....	$\geq 1000 \text{ m/s}^2$ (100g)
* Standard Connector.....	PG 9 radial cable (pigtail)

* Different Cable Lengths on Request.

Dimensional Drawing



Optional mit Drehmomentstütze lieferbar

OPTIONAL WITH TURNING MOMENT SUPPORT