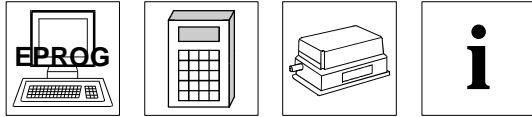


Absolute-Encoder CE-65-M P



- **Small and Compact**
- **Multi-Turn**
- **Parallel Output**
- **Programmable Encoder Parameters**
- **Standard Interchangeable Mounting Flanges**

5

Electrical Data

Encoder Capacity	max. 25 Bit
* Steps / Revolution	8192 Steps / Rev
* Number of Revolutions	4096 Revolutions
Supply Voltage	11-27 VDC
Power Dissipation (No Load)	< 4 Watt
Programming via RS485	IBM Compatible EPROG Software, PT100 Programming Terminal
* Output Code (programmable)	Binary, BCD, Gray, Shifted Gray, Excess3, Shifted Excess3
Output Options	Push-Pull, Open Collector, Open Emitter (Max 35 V)
Maximum Current	100 mA / Short Circuit Protected
Input Options	
* Forward / Reverse	Change direction of count
* Preset 1	Adjust absolute position to a given set value
* Preset 2	Adjust absolute position to a given set value
* Latch	Freezes data lines
* Bus	For multiplexing many encoders. Only to be used with Open Collector or Open Emitter Output drivers.
Logic Levels	"0" < +2 VDC, "1" > +8 VDC, max. 30 VDC
Pin Configuration	Upon Request
* Programmable Parameters	

Environmental Data

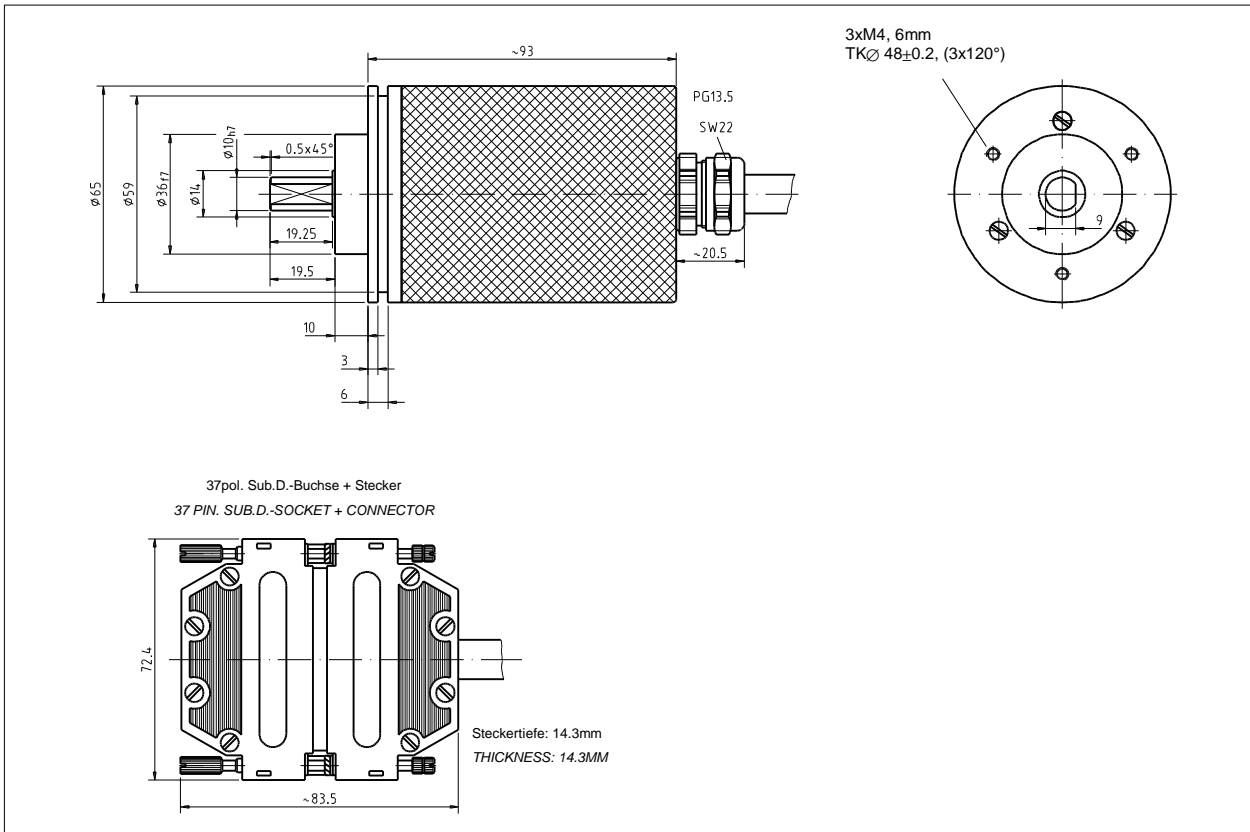
Electromagnetic compatibility (EMC)	EN 61000-4-2 (IEC-801-2) / EN 61000-4-4 (IEC-801-4)
Operating Temperature	0°-60°C (32° to 140° F) / (Optional -20° to +70°C) (-4° to 158° F)
Extended Temperature (Optional)	-30° to +80°C (-22° to 176°F)
Relative Humidity	98 % (non condensing)
* Protection Class	IP 50 (DIN 40 050)
* The protection class of the encoder can be effected by the type of connector used.	

Mechanical Data

Maximum Rotational Speed	6000 RPM
Maximum Load on Shaft	40 N Axial, 60 N Radial (at end of shaft)
Lifetime on Bearings	3.9 x 10 ¹⁰ Revolutions at:
-Operational Speed	3000 RPM
-Load on Shaft.....	20 N Axial, 30 N Radial (at end of shaft)
-Operating Temperature	60°C (140°F)
Weight	0.7 kg (1.5 lb.)
Maximum Angular Acceleration	≤ 10 ⁴ rad/s ²
Momentum of Inertia.....	2.5 x 10 ⁻⁶ kg m ²
Startup Momentum at 20°C (68°F).....	2 Ncm
Vibration (50-2000 Hz Sinusoidal)	
DIN IEC 68-2-6	≤ 100 m/s ² (10g)
Shock (11ms) DIN IEC 68-2-27	≤ 1000 m/s ² (100g)
Standard Connector.....	PG Axial with 0.5 m cable with 37 pin SUB-D Connector

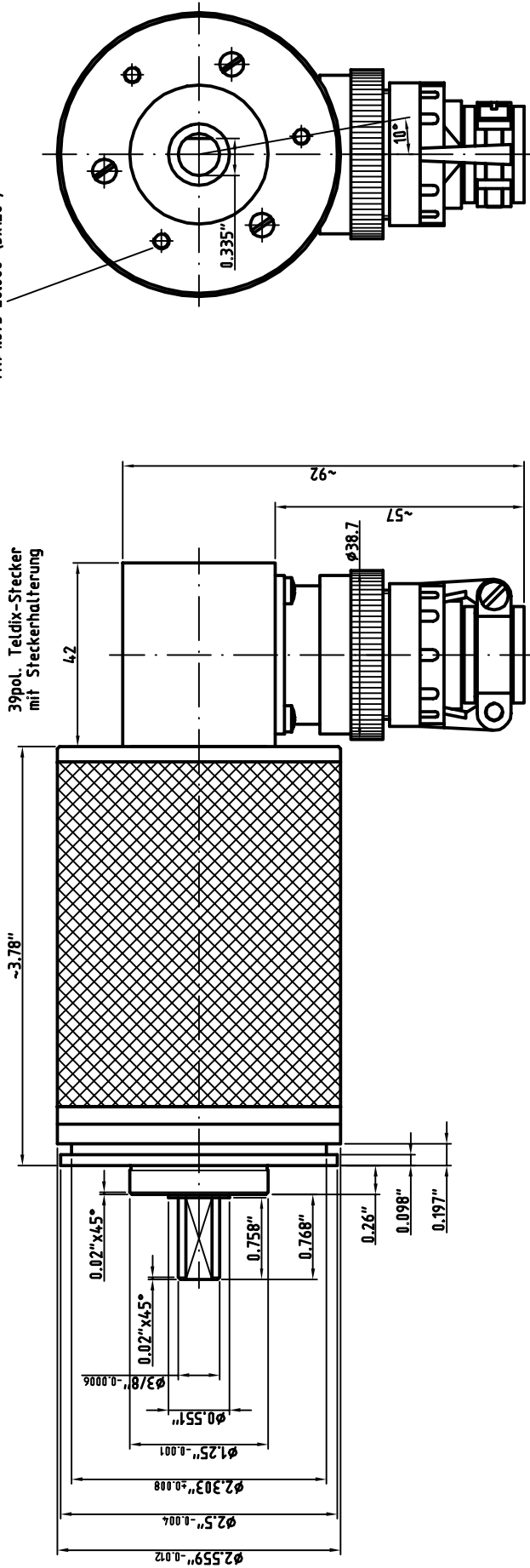
* Other connector types available upon request.

Dimensional Drawing (For the North American stock item version please go to the next page)



(For the North American stock item version please go to the next page)

3x8-32UNC-2B, 0.236" tief
TK $\phi 1.875 \pm 0.008$ (3x120°)



39pol. Teldix-Stecker
mit Steckerhalterung

Breite der Steckerhalterung
52mm

ARTIKEL-BEZ.: CE-65-M

SCHRITZAHL 4096
 UMDREHUNG 4096
 SCHNITTSTELLE PARALLEL PUSH PULL
 AUSGANGSPEL 11-27V
 CODE PROGRAMMIERBAR
 VERSORNGSSPANNUNG 11-27V
 SCHUTZART IP67
 GRENZTEMPERATUR 0-60°C
 FLANSCHART ZB1.25"
 WELLE $\phi 3/8$ " (0.768" lang) Fläche
 STECKERART 39pol. Teldix abgewinkelt
 mit GEGENSTECKER
 OPTIONEN PROGRAMMIERBAR, PRESET 1+2,
 V/R, LATCH

TR TR Electronic GmbH
 Eglishalde 6
 78647 Trossingen
 Telefon 07425/228-0

Maßstab 1:1 DIN A3 Projekt-Nr.:
 Artikel-NR.: 110-02269
 Bestell-NR.:

CE-65-M, 1.25"er Zentr.
 Ausf.: Parallel

Zeichnungs-NR.:

04-418-2364

Erstellt	Datum	Name
16.03.00		Habetler
Bearb.		
Gepr.		
Norm		

Steckerbelegung:

138A

Zust. Änderung Datum Name EDV-Nr.:

Blatt
1
BL